



TRT Tile Hook Racking System TRT032

Assembly Instructions

Version 2.1

06/05/2025

Table of Contents

1. General safety information	3
2. Test and certification.....	4
3. Tools overview	5
4. Component introduction.....	6
5. Roof inspection and system layout.....	9
6. Installation step	11
6.1 Installation of the solar tile hook.....	11
6.2 Installation of the solar mount rail	14
6.3 Installation of the solar panel	16
6.4 Installation of the Skirt	18
6.5 Installation of ground lug and bonding jumper.....	22
6.6 installation of micro inverter racking	24
Thank you.....	26



1. General safety information

- Prior to installation, ensure that the product complies with on-site static loading requirements. For roof-mounted systems, the roof load-bearing capacity must always be checked to meet the requirements.
- During installation, the construction site must be blocked from the public to prevent fall injuries. At least one copy of the installation instructions must be available at the installation site. Installation work may only be carried out by adequately trained and qualified installers.
- Qualified personnel are those who have skills, knowledge and training in the installation of PV mounting systems necessary to follow this manual to safely use the required tools and to carry out the required procedures. They must be physically and mentally fit and at no time are they allowed to perform installation work while under the influence of drugs, alcohol or even drugs.
- The installation team must distribute safety helmets, gloves, safety ropes and other equipment to each installation worker to ensure that each installation location is equipped with more than two installers for timely rescue in the event of an accident.
- These installation instructions describe the procedure for installing the product. Read these assembly instructions carefully before starting the assembly. Follow the instructions carefully to ensure the correct installation of the product.



- Failure to follow our general safety and assembly instructions, Top Rack Technology Inc. (TRT) from any liability for resulting defects or damage. Warranty is void in such cases.

2.Test and certification

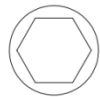
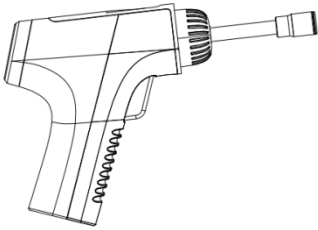
The bracket design complies with the following test and certification:

- UL 2703 CERTIFIED
- PE CERTIFIED



3.Tools overview

◆ Power tool with Torque



1/2''

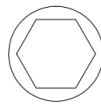
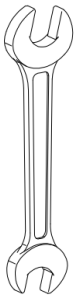


3/8''

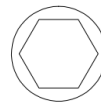


1/4''

◆ Wrench

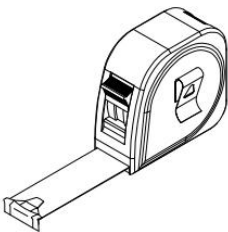


1/2''

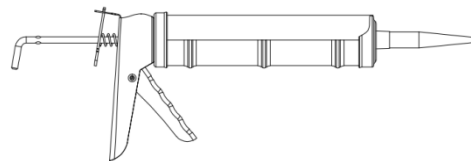


3/8''

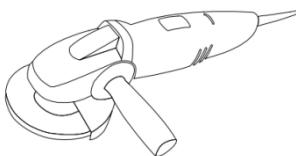
◆ Tape measure



◆ Sealant



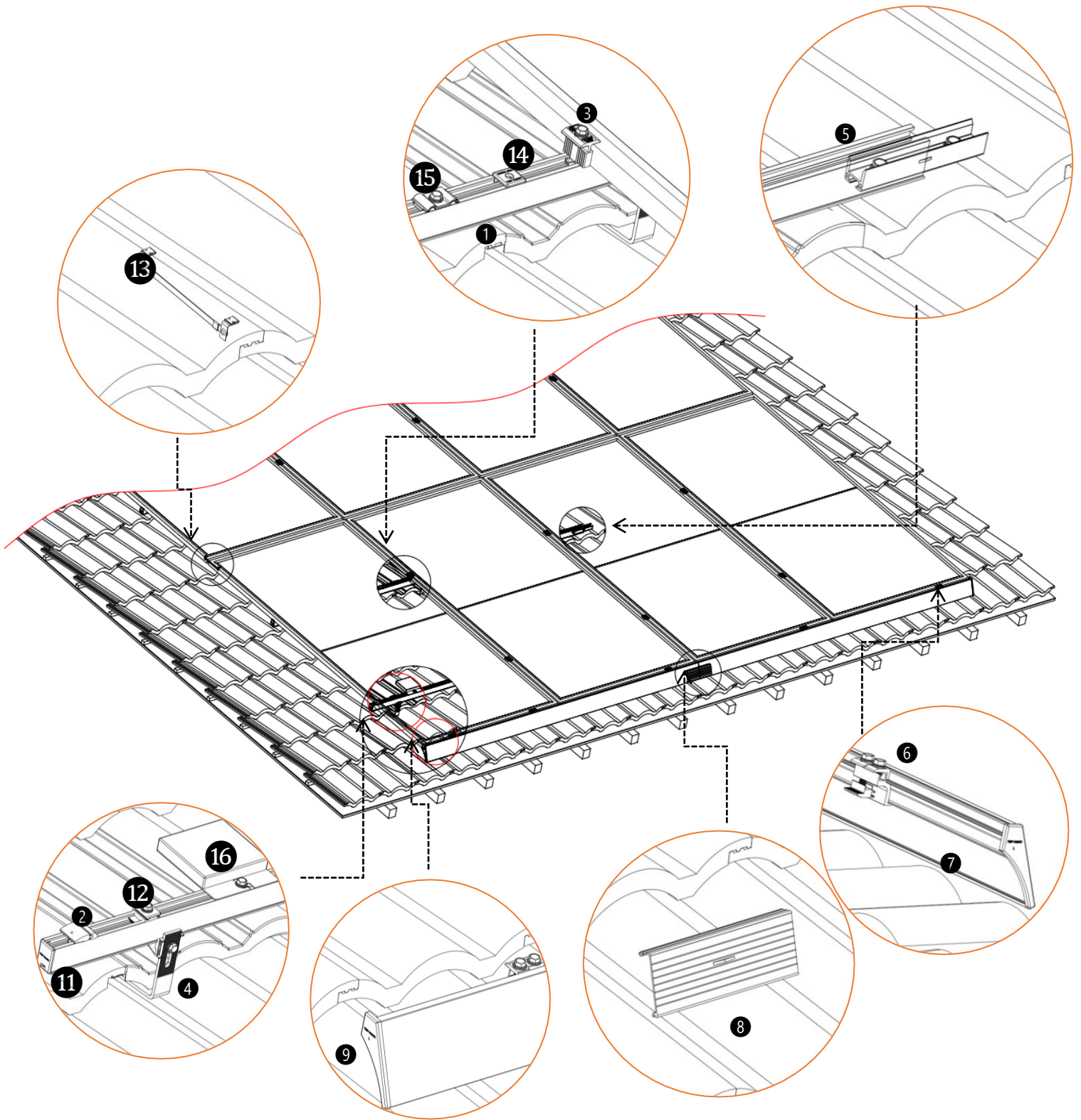
◆ Cutterbar



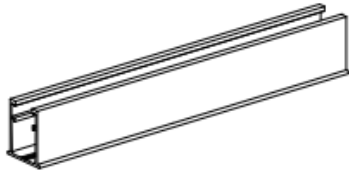
◆ Chalk



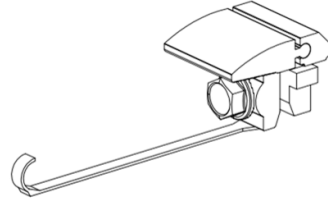
4.Component introduction



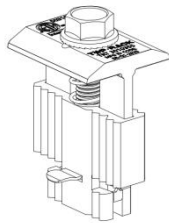
1 Rail | A188-4270/2300



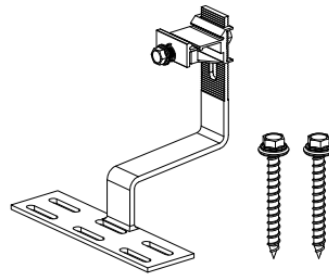
2 Hidden End clamp| 3010237



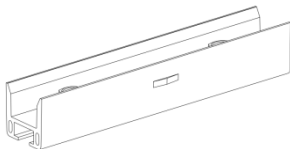
3 Mid clamp | 3010355



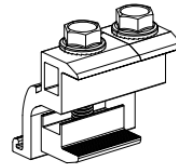
4 Tile hook | 3010370



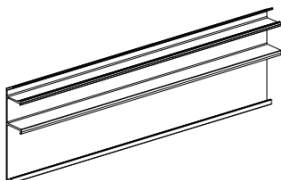
5 Rail Splice | 3010404



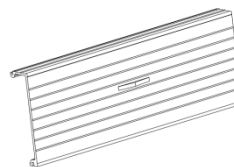
6 Skirt clip| 3010363



7 Skirt | A197-2300



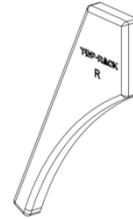
8 Skirt connector |3010405



9 Skirt Cap-L(108)&1040108



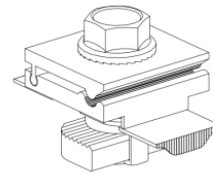
10 Skirt Cap-R(109) | 1040109



11 End cap | 1040088



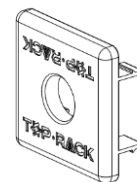
12 Ground lug 1 | 3010407



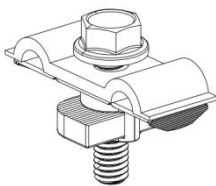
13 Bonding jumper | 3010320



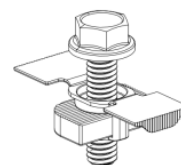
14 Wire cap | 1040089



15 Wire Management | 3010168

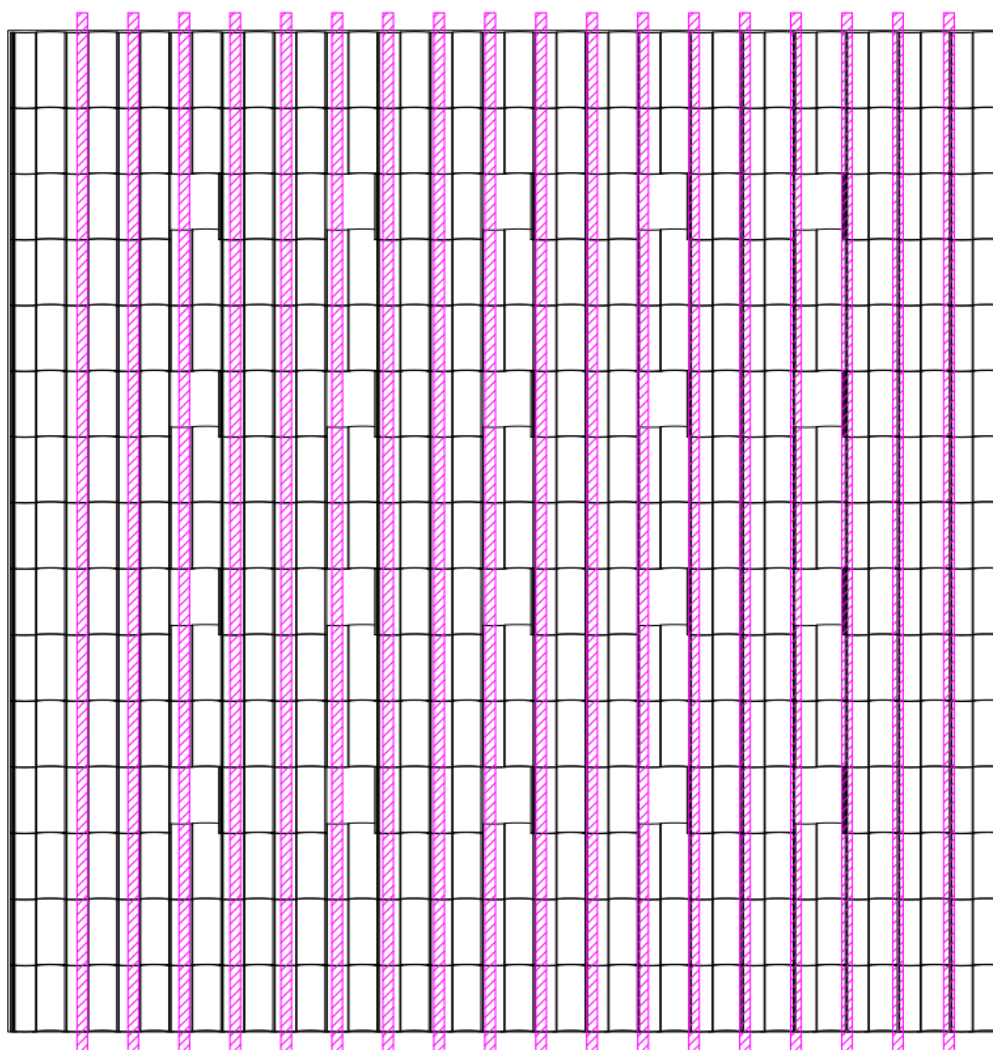


16 Micro Inverter Racking 1 | 3010167

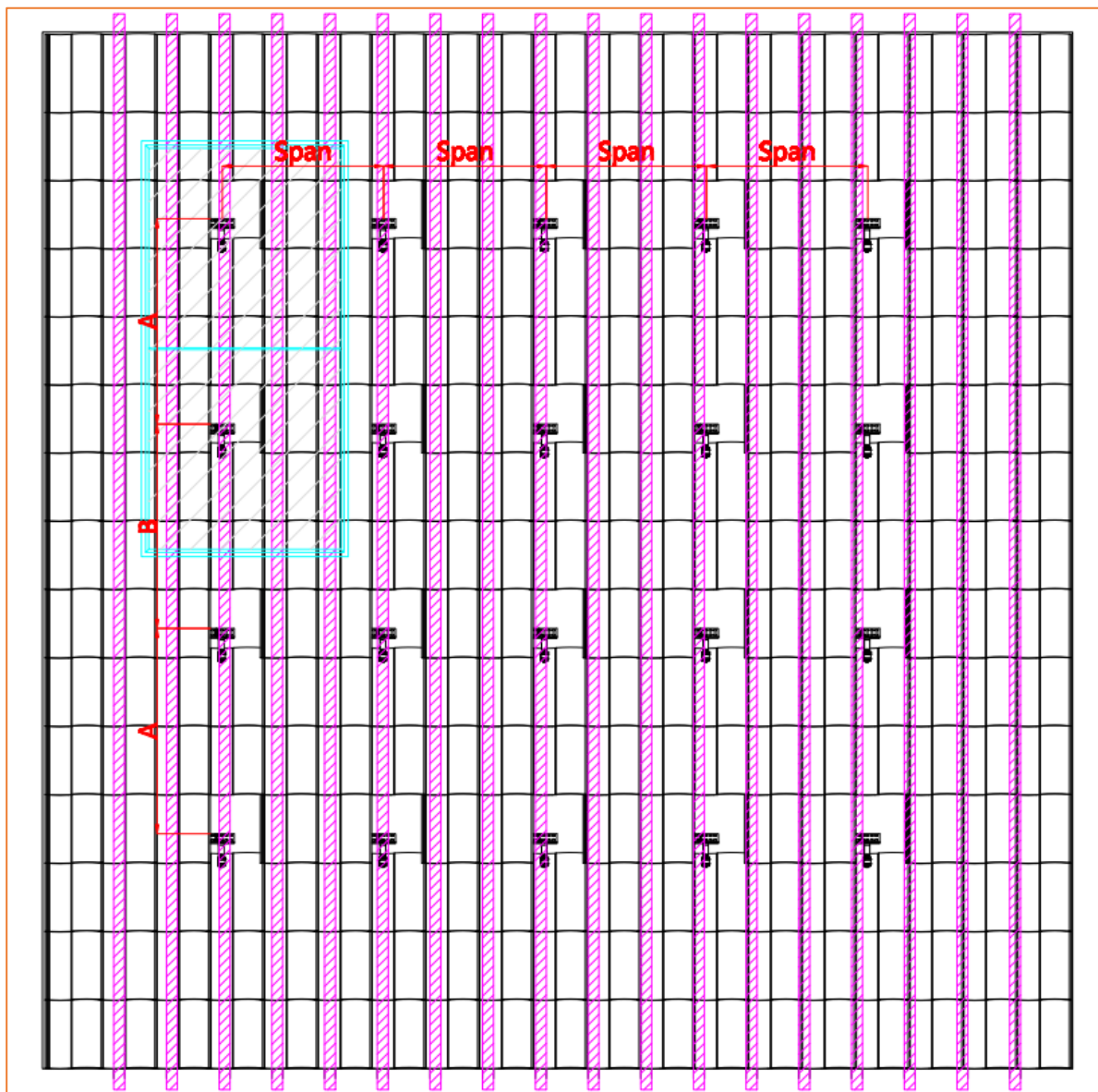


5. Roof inspection and system layout

- Measure the dimensions of the roof, make sure after the system installed, there is at least 6" from the roof ridge, and 20" from eaves
- Measure the spacing between rafters, make sure the width of the rafter is not smaller than 2"
- The installation must ensure that the gap between the system and the roof can ensure ventilation, drainage, fire protection and moisture resistance. After installation, places that are prone to moss and dirt should be cleaned regularly.
- Survey the actual length, width, angle, rafter span etc. of the roof



- Draw the rafter locations on the layout plan to identify where the roof accessories can be installed. The span between each installation location should follow up the PE Letter of each States.
- Transfer the layout plan to the roof in proportion using a marker pen or chalk,

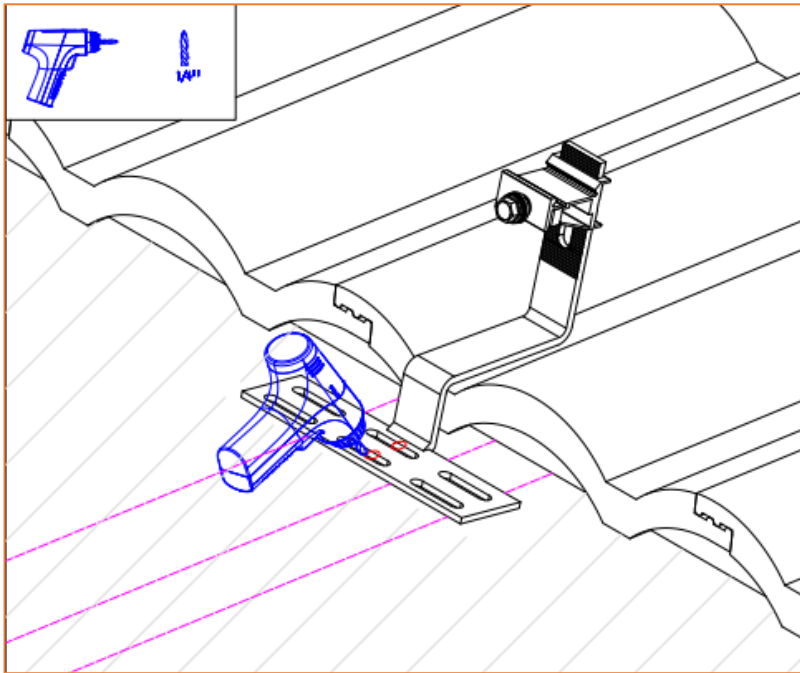


- The span and spacing of each hook, please following up the TRT structural analysis report



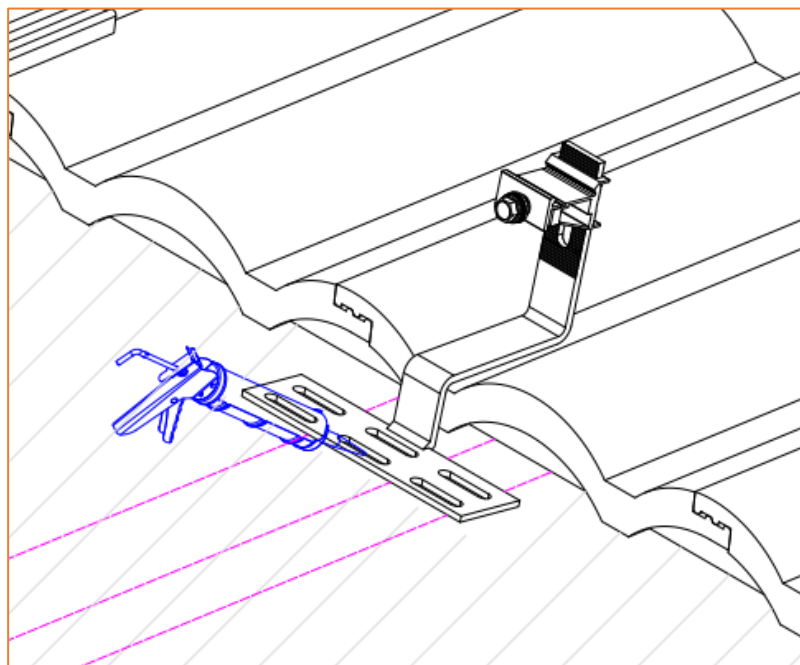
6. Installation step

6.1 Installation of the Tile Hook



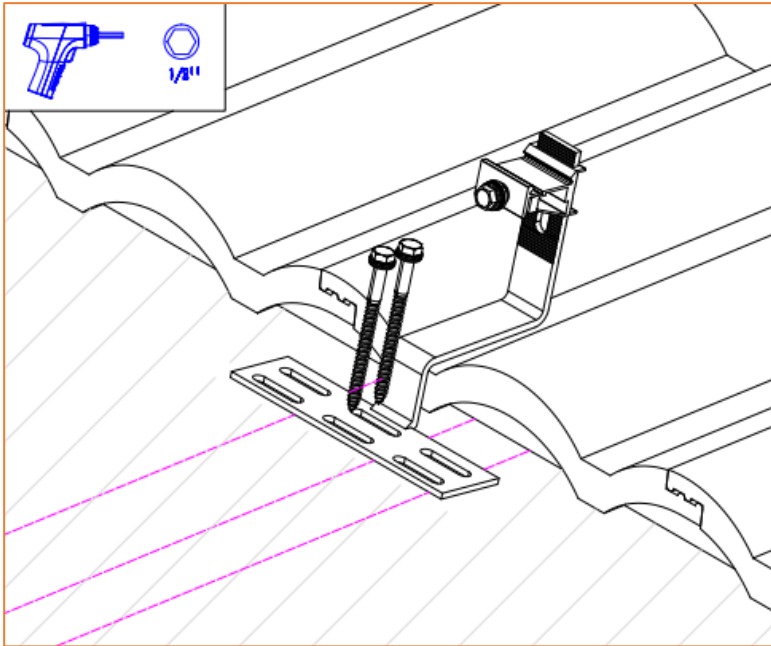
① According to the planned mounting point, remove the tiles around the installation area.

② Place the hook at the mounting point and Drill two pilot holes through the roofing material into the roof framing member, with 1/4" drill bit.

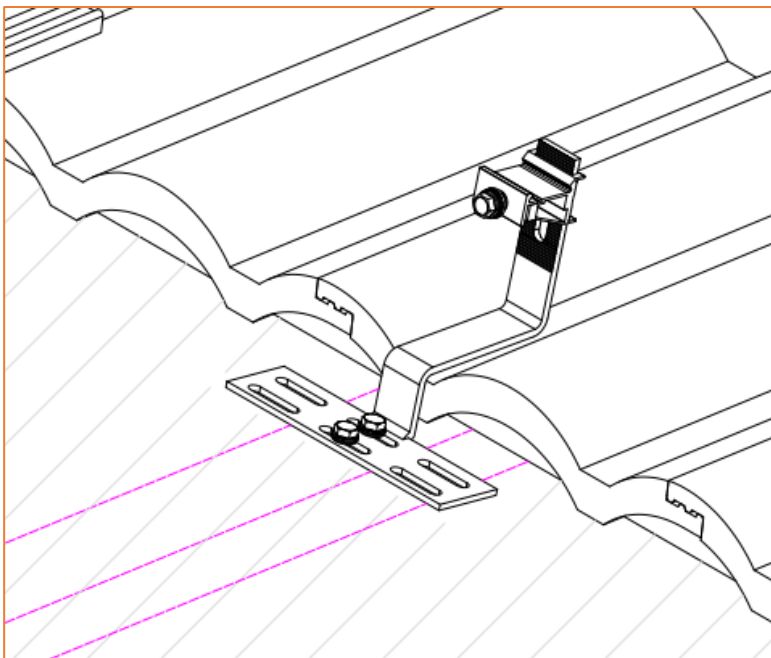


③ Apply roofing sealant to pilot holes and Tile Hook base

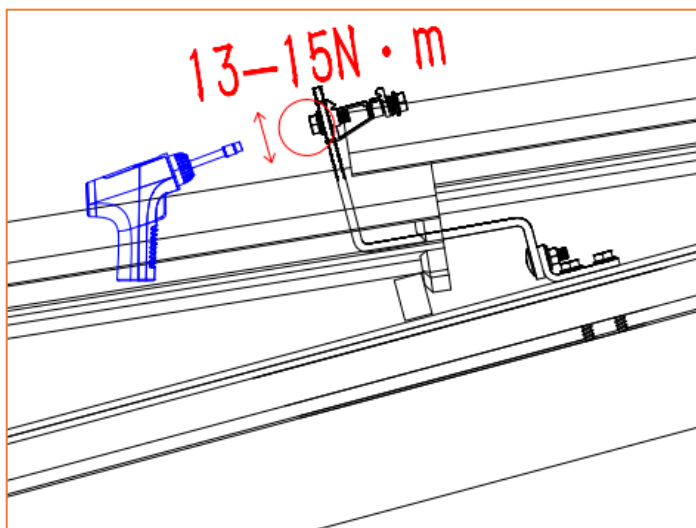
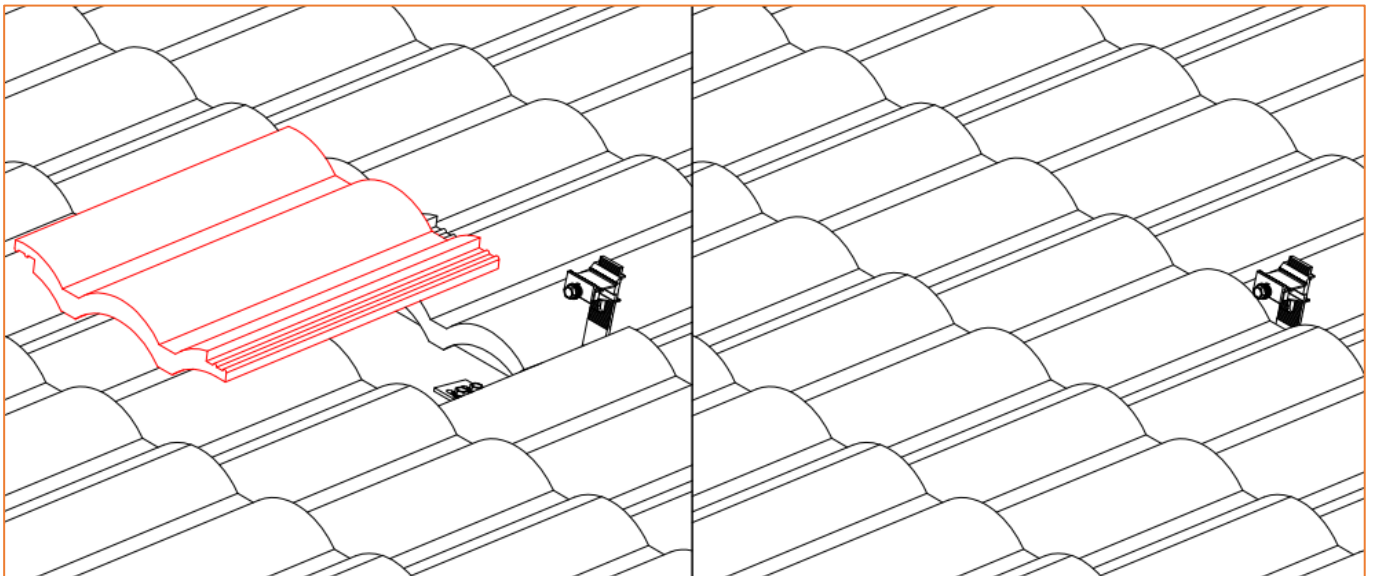




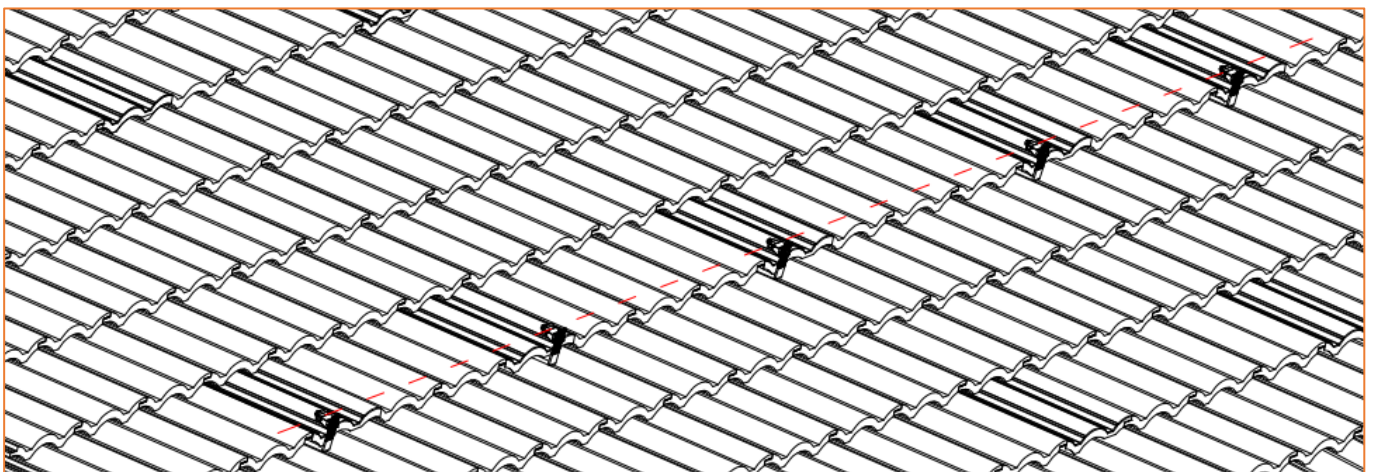
④ Drive two wood screws into the pilot holes by 1/2" power tool, the wood screw must with sealing washer.



- ⑤ Re-cover the tiles to their original position, if necessary, notch with grinder to ensure proper fit.

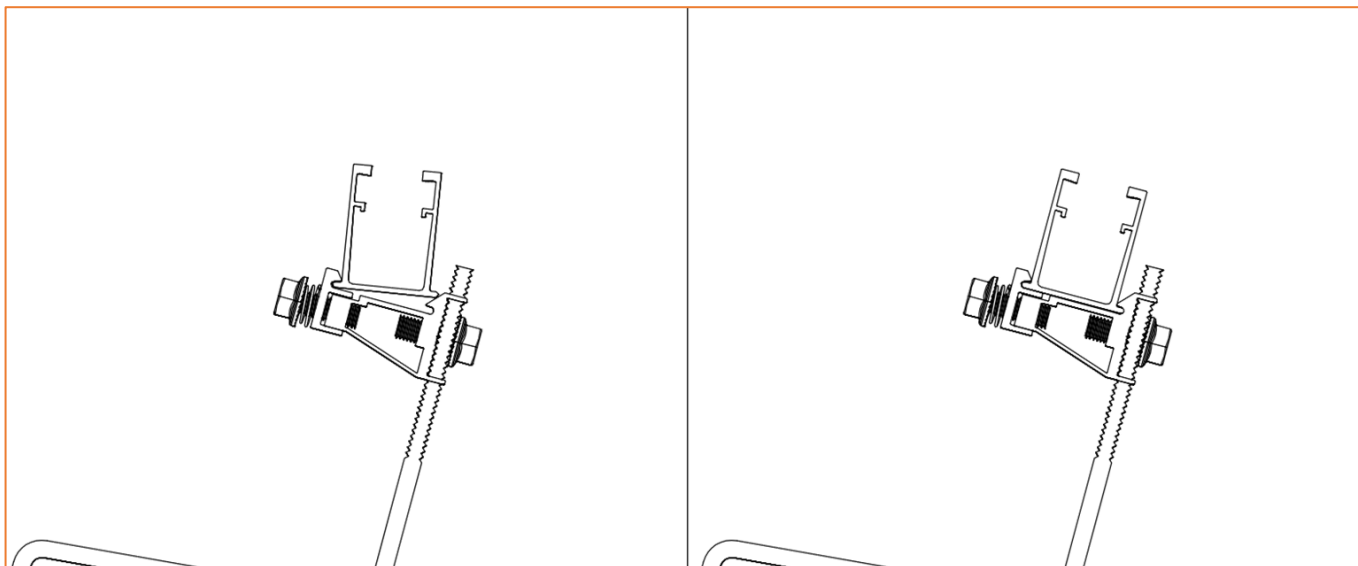


- ⑥ Loosen the bolts of the rail fastener which has been pre-assembly on the arm of the hook, adjust the height of rail fastener by 1/2" socket make all of them on the same level, 13~15N.m torque will be required to tighten the bolts.

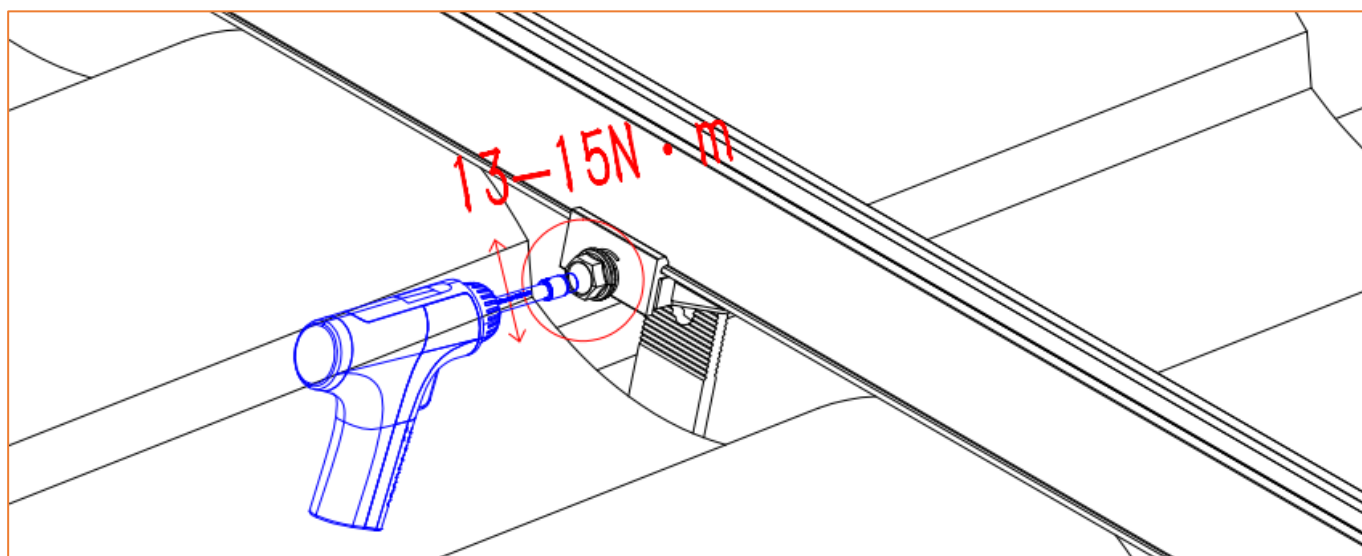


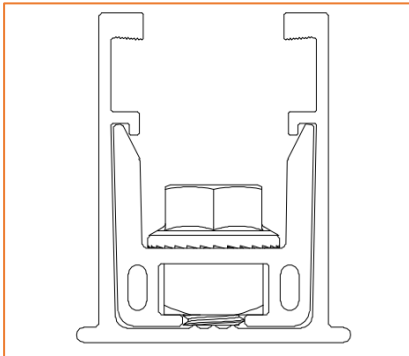
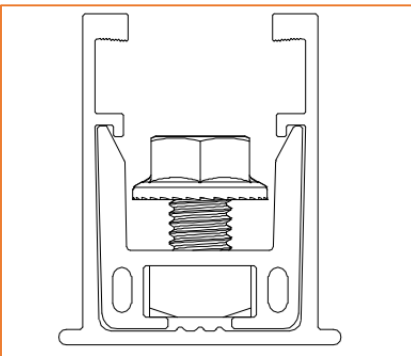
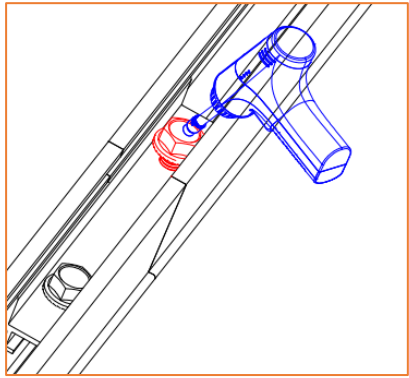
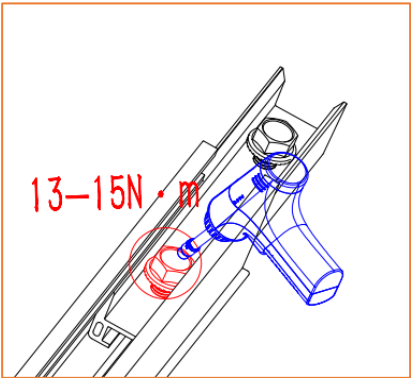
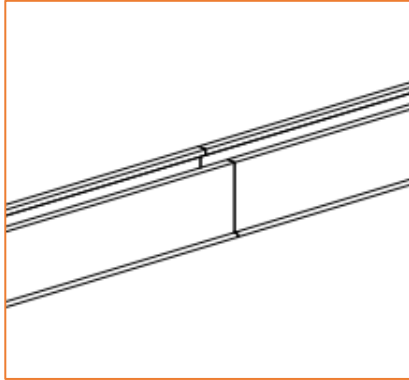
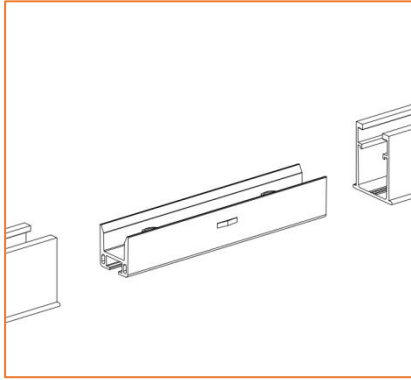
6.2 Installation of the solar mount rail

- ⑦ Loosen the bolt of the rail fastener and tilt the rail slightly so that it snaps into the rail fasteners.



- ⑧ Tighten the bolt of the rail fastener to with 1/2" socket and the torque is 13~15M.n





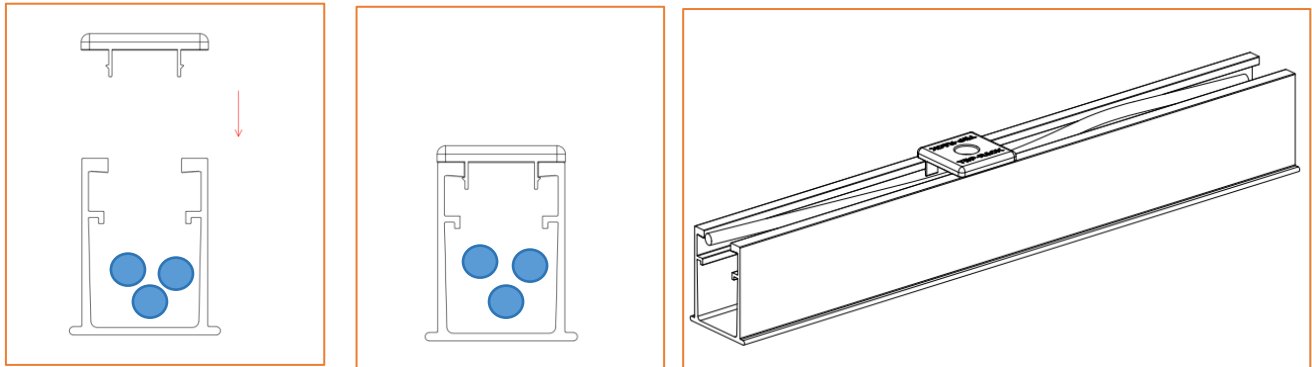
⑨ If rail splice is necessary during the installation, then connect the rails before mounting it on the rail fastener. Insert the rail splice into the two ends of rails until reach the anchor point.

Tighten the bolts of the rail splice by 1/2" socket with torque 13~15N.m

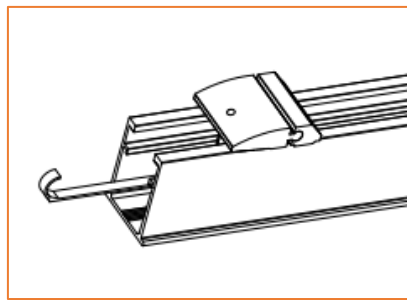
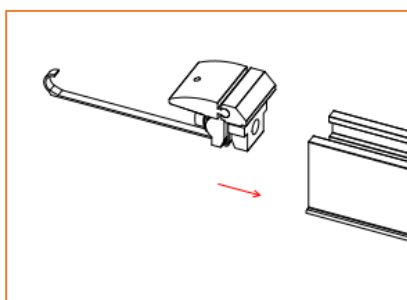


Optional installation (wire management)

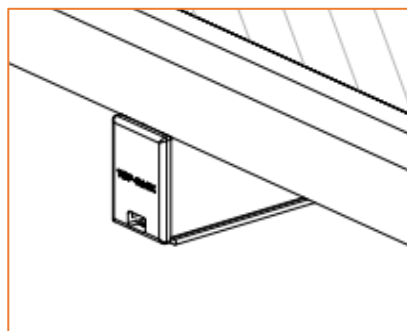
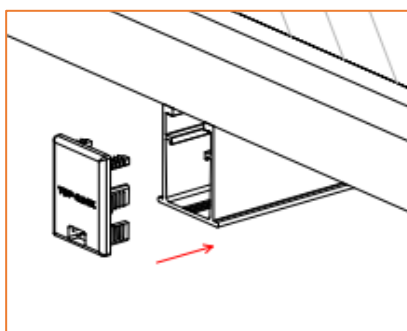
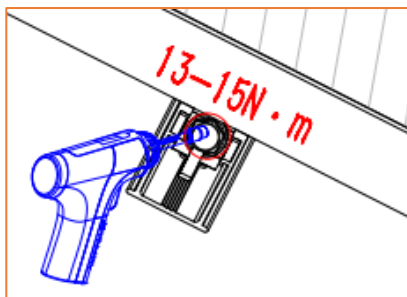
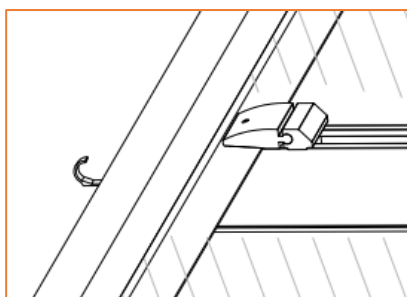
For horizontal cable management, insert the cable into the rail cavity along the direction of the guide, and cover the cable cap.



6.3 Installation of the solar panel

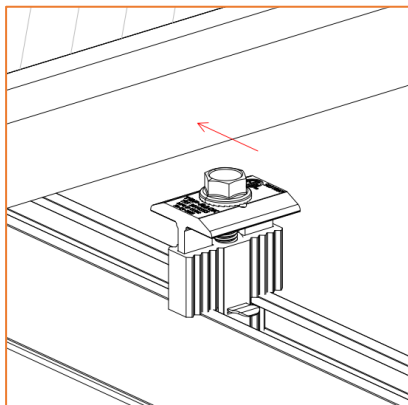
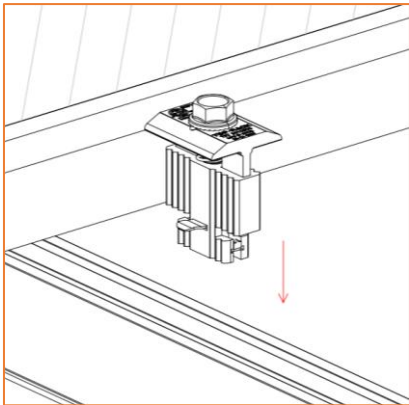


⑩ Sliding the hidden end clamp into the rail. Place the solar module on the rail over the end clamp. Pull the tie of the hidden end clamp to press against the module frame. continuing pulling the tie till the edge of the module frame is flush with the edge of the rail. Tighten the bolt by 1/2" socket to secure the hidden end clamp. The Torque is 13~15 N.m.

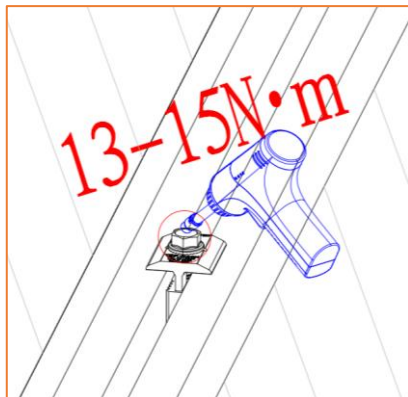
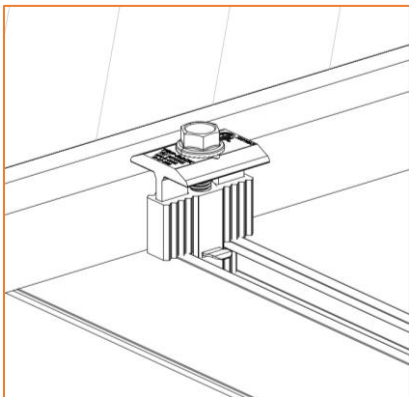


⑪ Insert the exposed tie into the channel, then cover the rail end by the end cap.





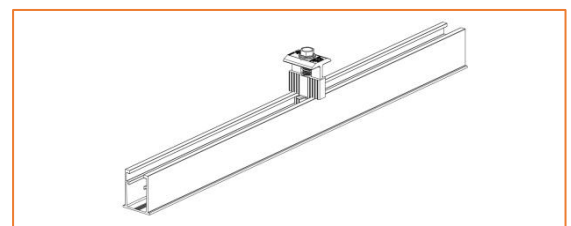
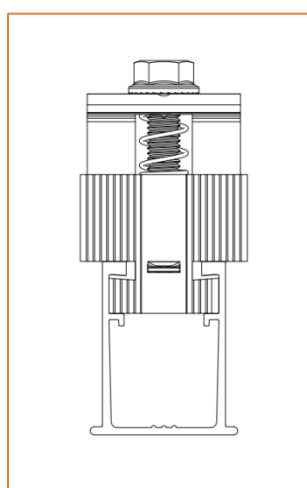
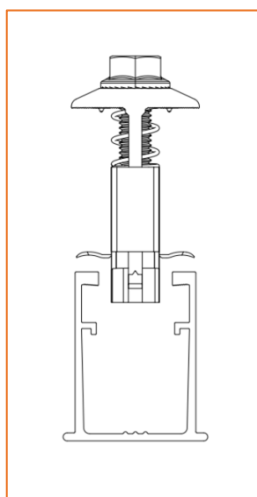
⑫ Insert the mid clamp into the rail as the direction of the panel clamp, rotate the middle clamp by 90°, slide the mid clamp until it compresses the frame of the solar modules.



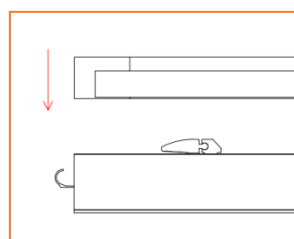
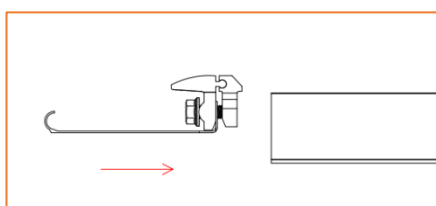
⑬ Place another solar module on the rail, press it by another side of the mid clamp, adjust the module then using 1/2" socket or wrench to secure the bolt of mid clamp. The torque of the bolt is 13~15N.m

Note: The grounding nail of the mid clamp must press on the frame.

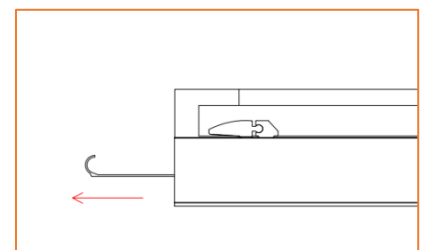
Note: The mid clamp can fit panel thickness from 30~40mm.



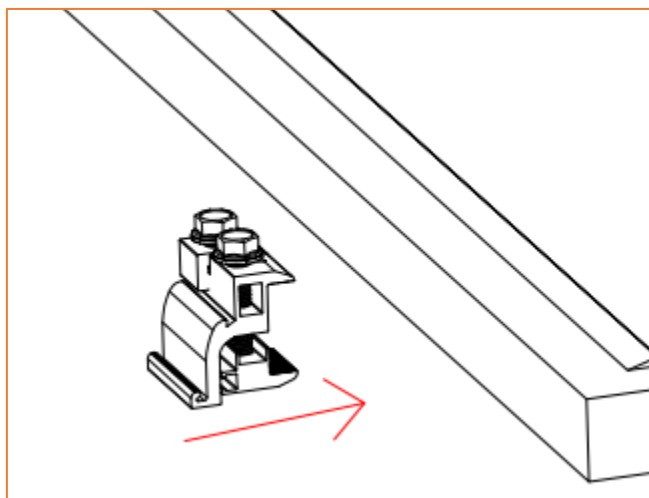
Mid clamp



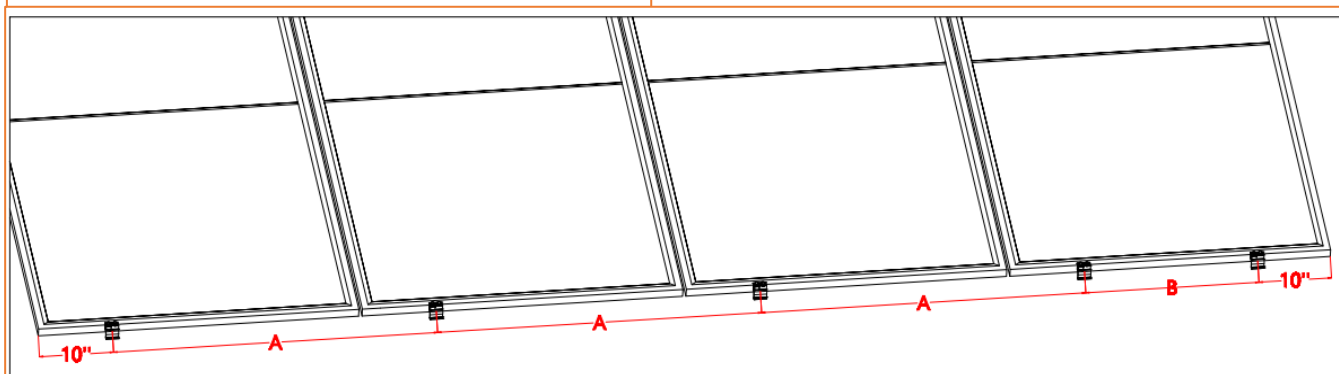
End clamp



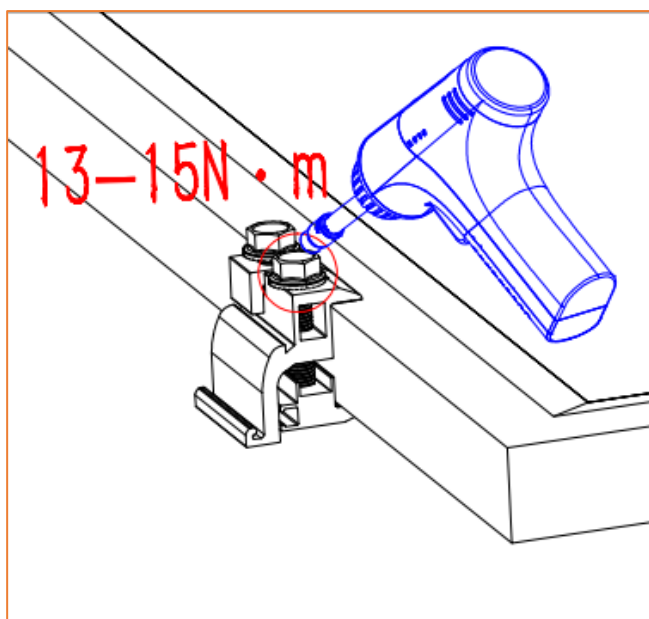
6.4 Install the skirt



⑭ Assemble the skirt fastener clip on the frame of first row of solar panel, the skirt fastener can be used on the frame thickness from 30~40mm.

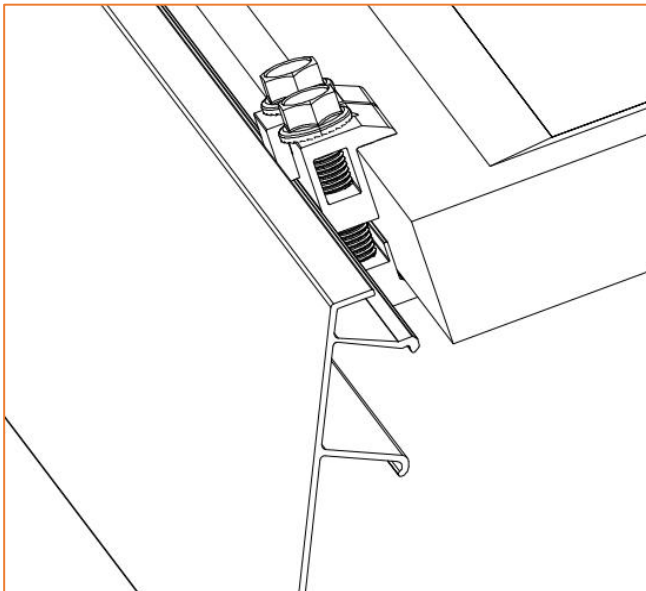
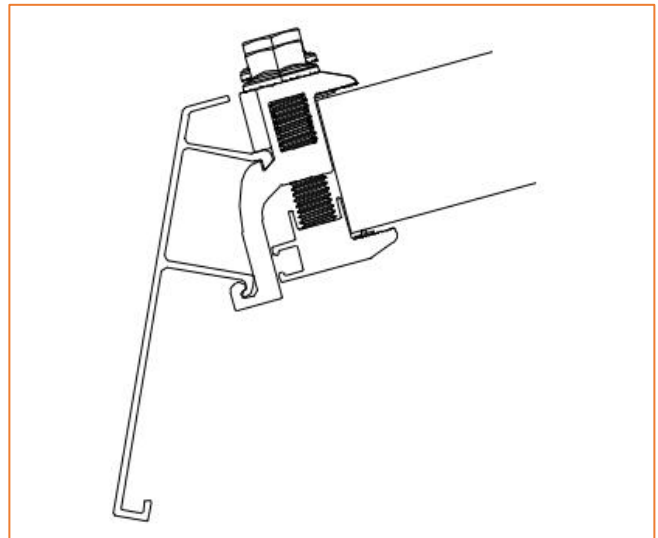
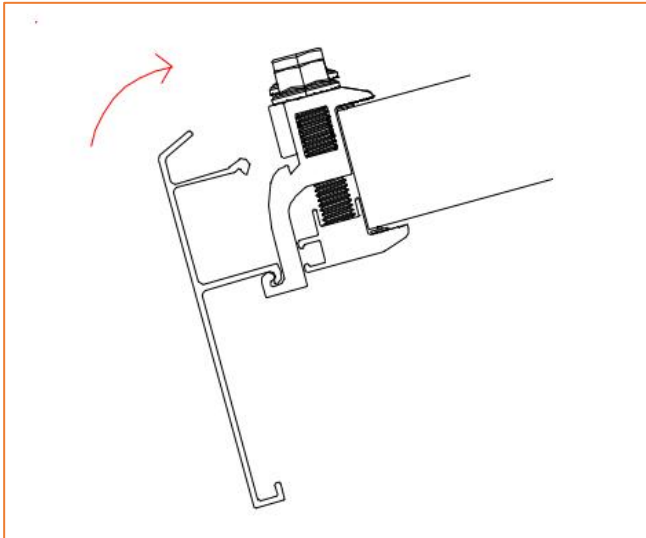


⑮ Adjust the position of the skirt clips, the distance from both ends of the panel to the nearest skirt clip is 10". The space of other skirt clips is at most the width of the panel, which can be decreased if needed, such as Case B.



⑯ Secure the right bolt by 1/2" socket to prevent the clip from loosening and moving. The torque is 13~15N.m



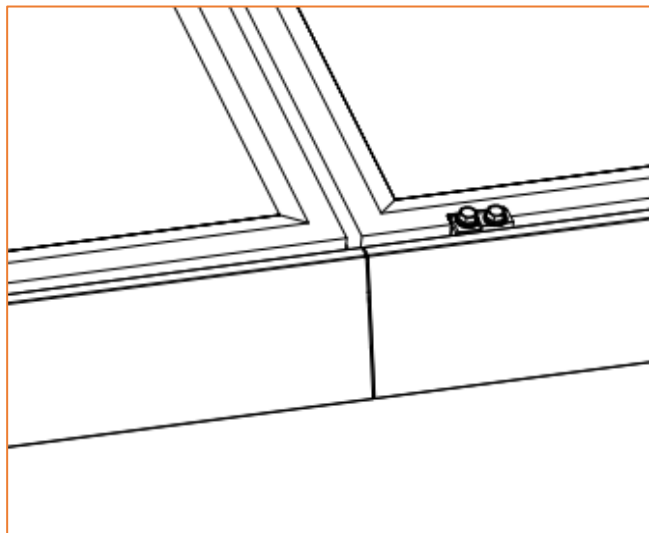
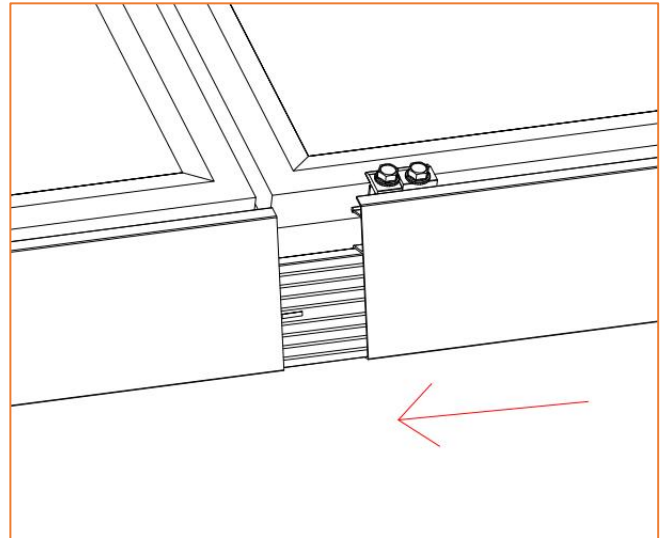
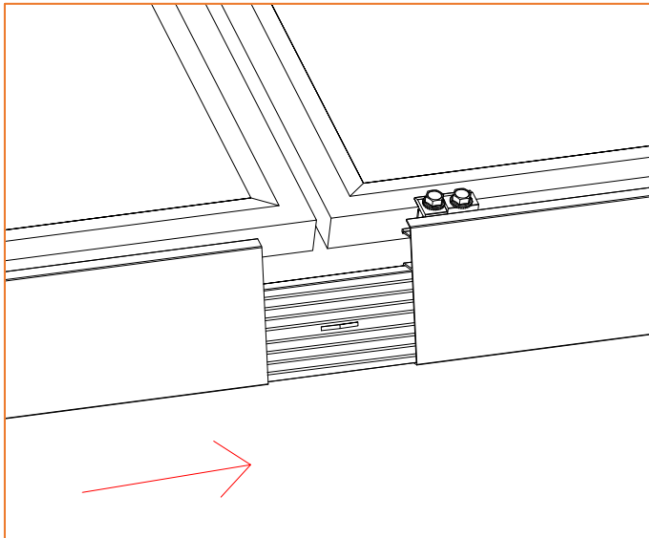


⑰ Tilt the skirt so that the central buckle fits perfectly with the bayonet at the lower end of the fastener.

Tilt the skirt again and buckle its upper end into the upper end of the fastener.

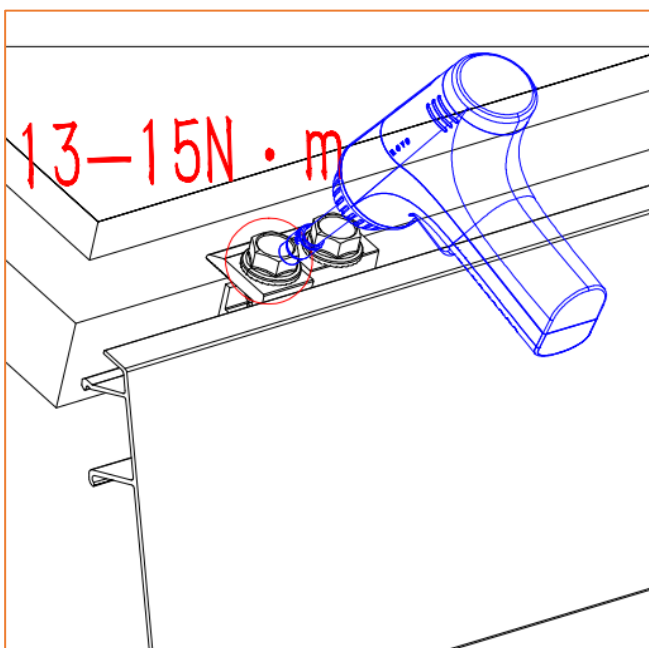
Note: Keep the middle buckle from sliding out when installing the upper buckle





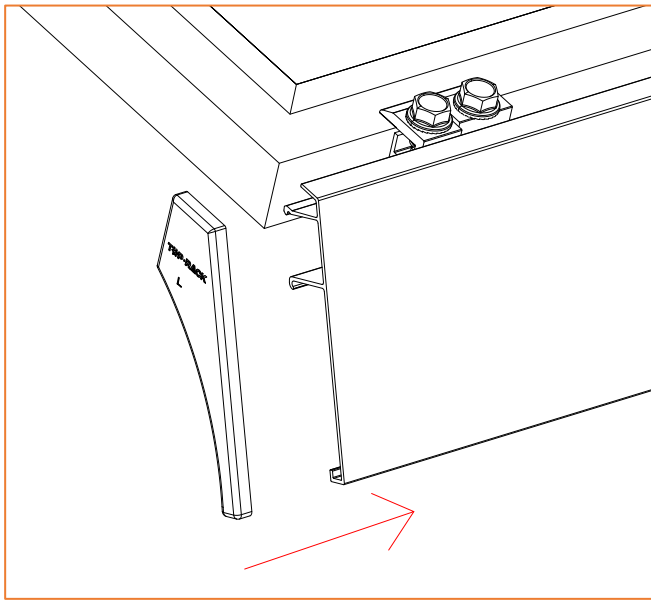
⑱ Adjust the Skirt front of each panel, connect the two adjacent skirts with connectors.

Note: Insert the connector to the skirt channel until it reaches the anchor point.



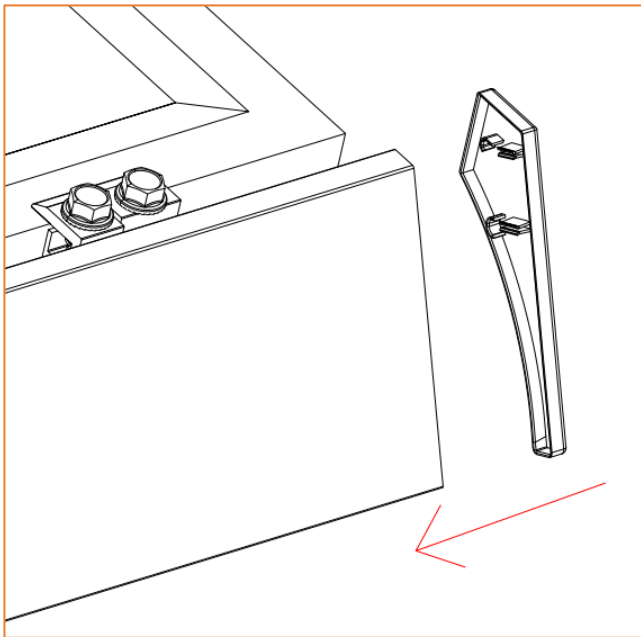
⑲ Secure the left bolt by 1/2'' socket to ensure the skirt can not be move anymore. The torque is 13-15N.m



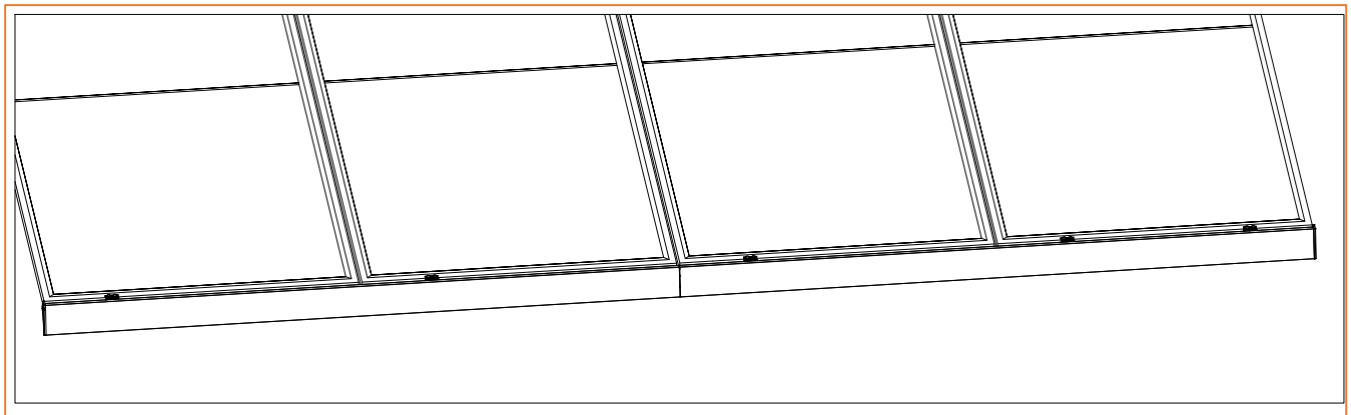


⑳ Cover two ends of the skirt with the end cap.

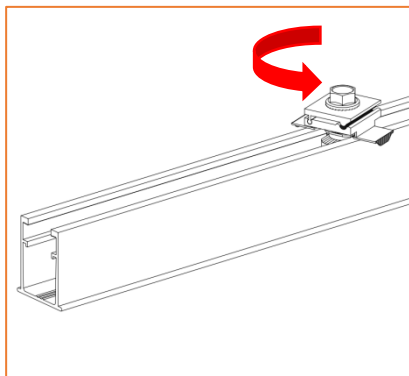
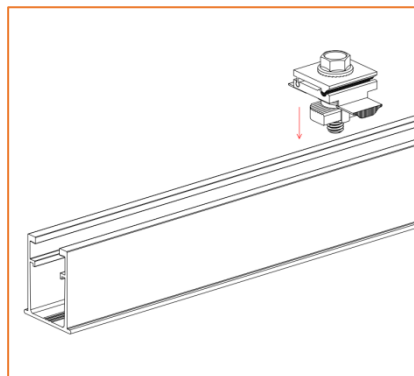
Note: The end cover needs to be distinguished from the left and the right.



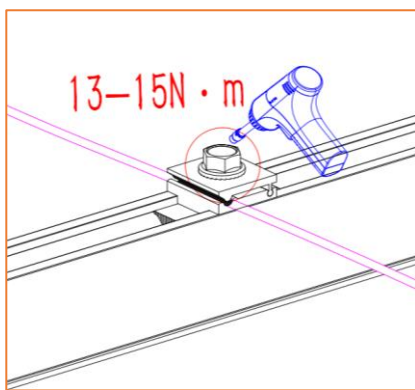
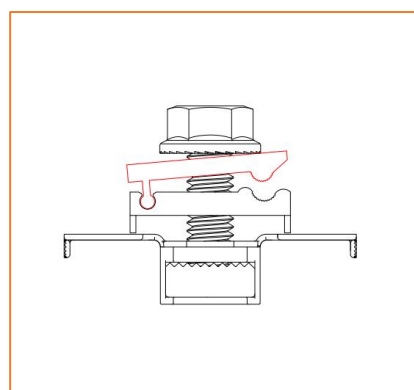
Note: When cover the end cap, be careful not to scratch your hands



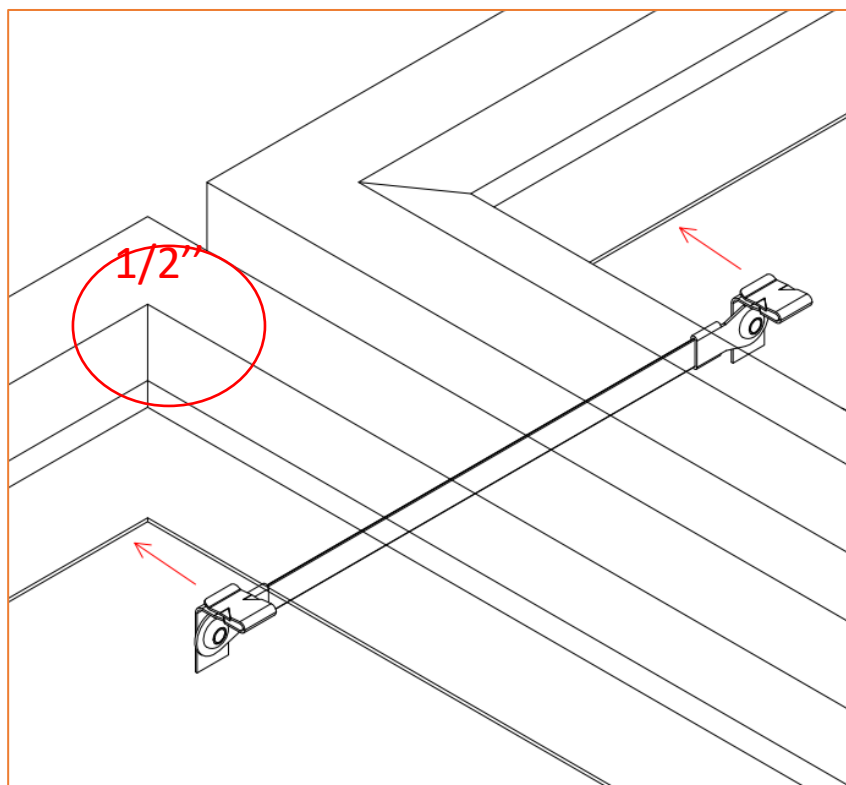
6.5 Installation of grounding lug and bonding jumper



① Push the nut of the grounding lug into the rail channel, turn the nut 90 degrees to lock it into the rail.



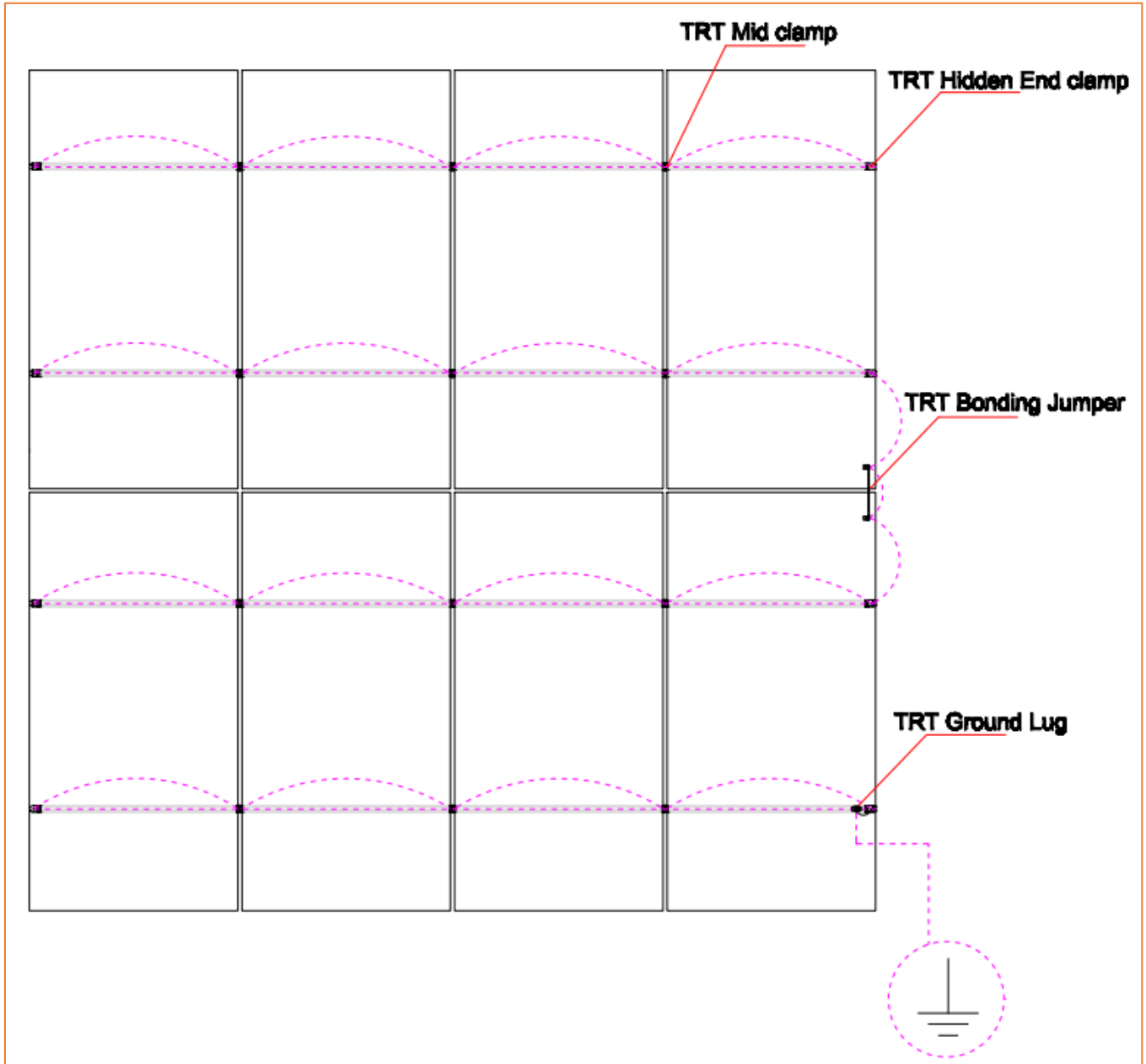
② Place the grounding wire in the slot of the grounding lug. Tighten the bolt by 1/2" Socket i with torque 13~15N.m



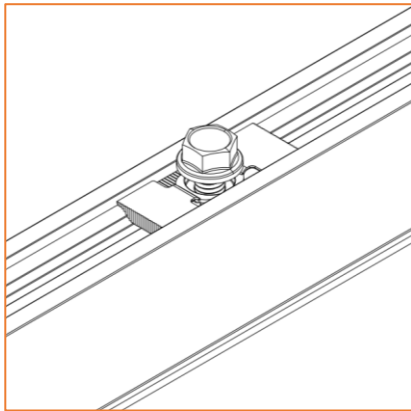
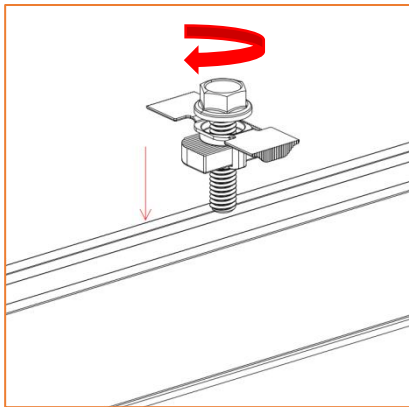
③ Using bonding jumper to connect the upper and lower row of panel, the teeth of the clip on bonding jumper pierced the oxide film on the aluminum frame.

Note: The space between the upper row and lower row of solar panel is 1/2"

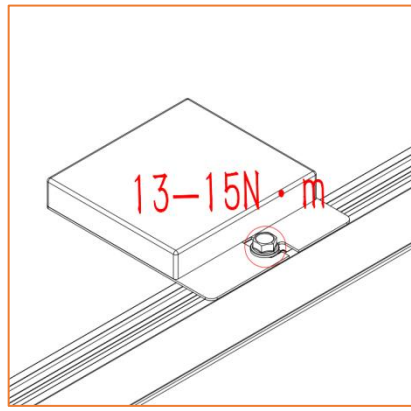
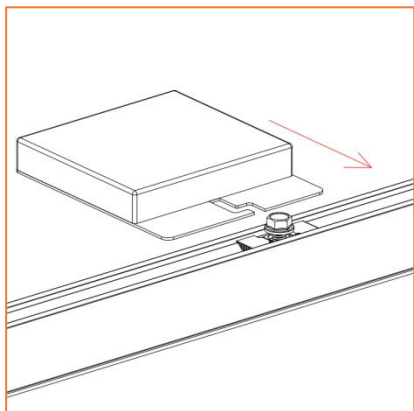




6.6 Installation of micro inverter

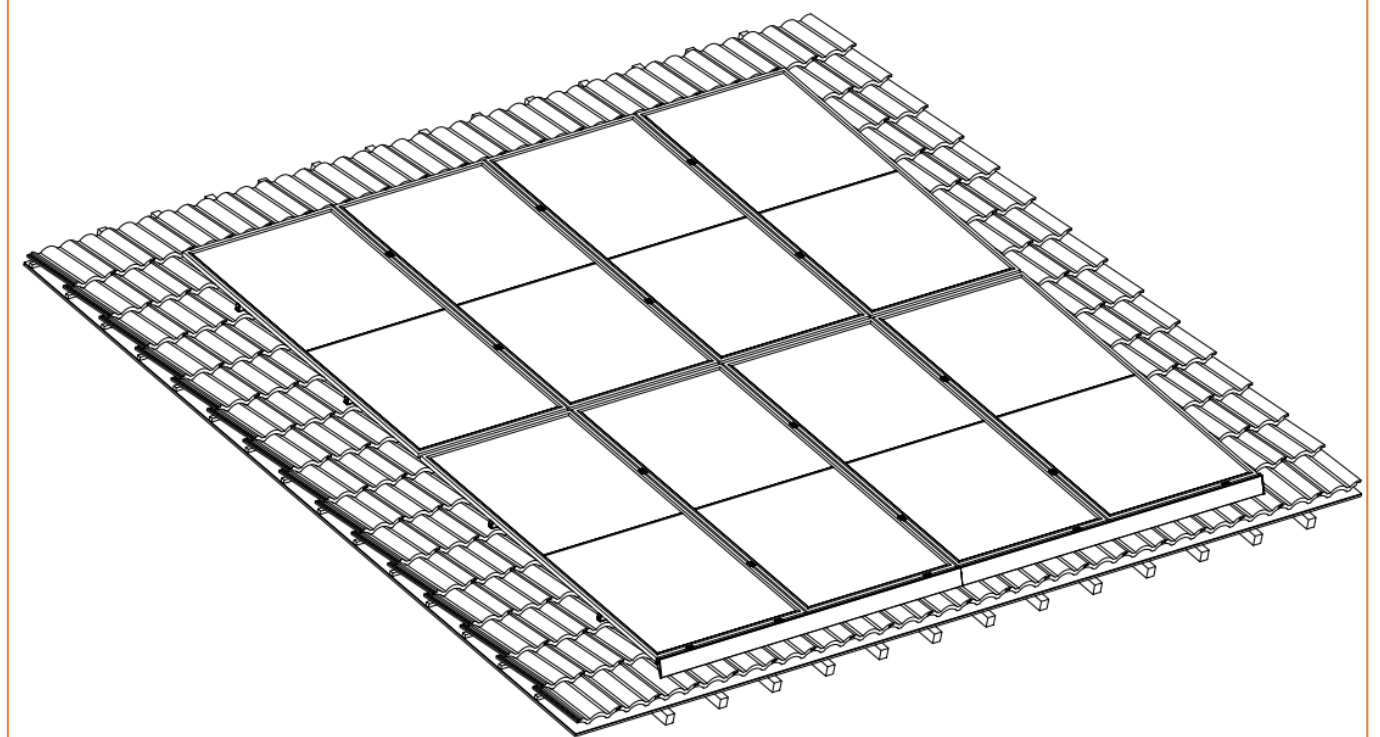
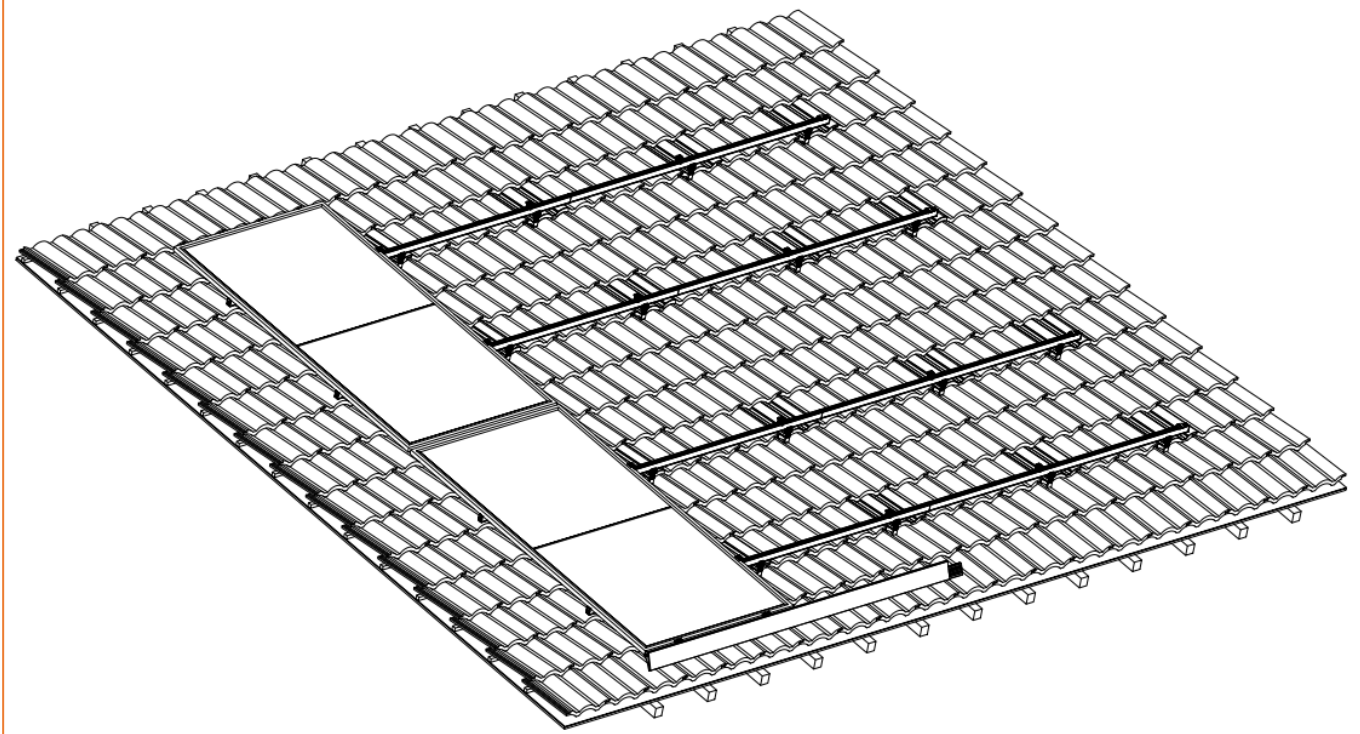


⑳ Push the nut of the Micro inverter racking into the rail channel, turn the nut 90 degrees to lock it into the rail.



㉑ Slide the micro inverter until it under the flange nut. Tighten the bolt by 1/2" socket with a torque of 13~15N.m.





Thank you!

Top Rack Technology, Inc.

Email: info@topracktech.com

Phone: 888 575 7818

Web: www.topracktech.com

©Top Rack Technology, Inc. Copyright 2024 All rights reserved. The content is protected by copyright law. Top Rack Technology, Inc. reserves the right to modify, update, or amend the content without prior notice.

