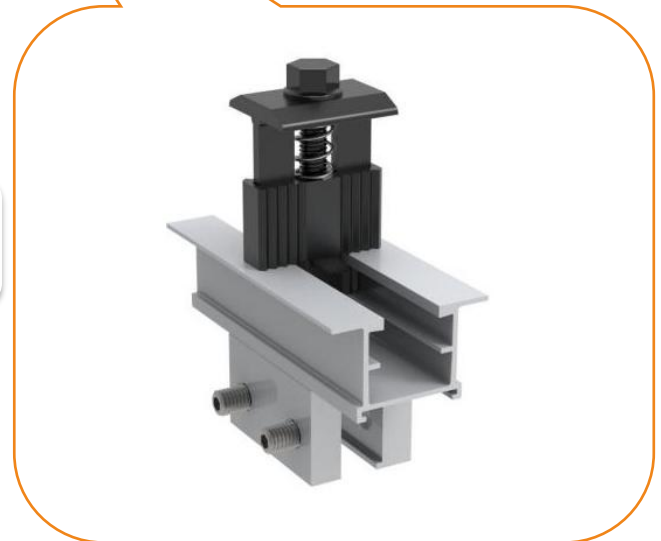


TRT Rail Less Clamp System TRT 05

TRT Rail-less clamp system is used for double-fold standing seam metal sheet roofs. The non-punch design makes this product far ahead in waterproof function. The main component of this system including Mini-Rail, Roof Clamp, Grounding lug , Mid Clamp and Hidden End Clamp. The entire system is made of high-strength aluminum alloy and stainless-steel components. The materials are solid, with a 10-year warranty and a service life of 25 years.



FEATURES

- **Non-penetration**
- **Simple components composition**
- **Affordable price**
- **Lower transport Cost**
- **Not limited by module size**
- **25 years warranty**



PARTS OF SOLAR MOUNTING SYSTEM

Standing Seam Clamp 3010126



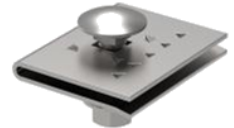
Suit for standing seam metal sheet tile, Without any drilling, No risk of water seepage

Mid Clamp 3010355



Black surface treatment, fits modules from 30~40mm thick, with Grounding device

Micro Inverter Racking 3010367



Rail-less based system Micro inverter fastener, SS304 made

Grounding Lug 3010402



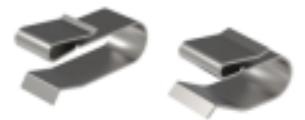
Not limited by the type of rail, directly mounted on the module frame

Bonding Jumper 30104060



To connect N-S modules or E-W modules

Cable Clip 1011004



Cable clip is a universal wire management clip that can be used with all systems

Version 1.1 10/16/2024.

©Top Rack Technology, Inc. Copyright 2024 All rights reserved. The content is protected by copyright law. Top Rack Technology, Inc. reserves the right to modify, update, or amend the content without prior notice.

