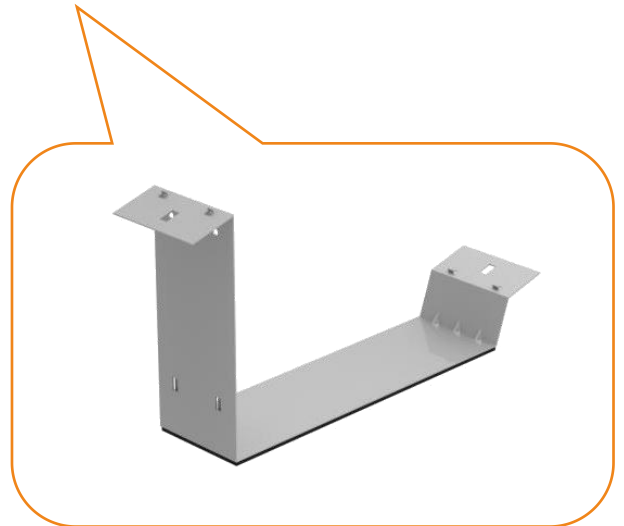


TRT Rail-less Base system TRT 06

TRT Z Bracket racking system is a ballasted solar racking system for flat concrete roof. Including components Z bracket, Skirt, panel clamps and ground lug. The wind load can be up to 160MPH. The Z bracket system also can be used as a west-east racking system.



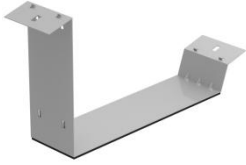
FEATURES

- Quick Installation
- High quality material
- Customized Tilt Angle
- South face or E-W Face Available
- EPDM Pad for Building protection
- 25 years warranty



PART OF SOLAR MOUNTING SYSTEM

Z bracket 3010372



Steel made Z bracket, suit for south face or east -west panel orientation

ZAM Skirt 3010373



Steel made wind board

Mid Clamp 3010374



Mid clamp with grounding clip pad.

End Clamp 3010375



Specially designed for Z bracket system

Cable clip 1011004



Cable clip is a universal wire management clip that can be used with all systems

Grounding lug 3010163



Not limited by the type of rail, directly mounted on the module frame

bonding jumper 3010320



To connect N-S modules or E-W modules

Version 1.0 09/01/2024.

©Top Rack Technology, Inc. Copyright 2024 All rights reserved. The content is protected by copyright law. Top Rack Technology, Inc. reserves the right to modify, update, or amend the content without prior notice.

